

3:8

June 2003

**NEW!**

# **TURNY HD**

**simplified entering and exiting**

Specially designed for cars with a little higher floor level



Mobility Conversions Ltd, Langley Road South, Salford, Manchester, M6 6SY



Tel: 0161-745-9737 or Fax: 0161-743-0190



Email: [info@mobilityconversions.co.uk](mailto:info@mobilityconversions.co.uk)

Web Site: [www.mobilityconversions.co.uk](http://www.mobilityconversions.co.uk)

# TURNY HD - swivelling car seat

**Turny HD (Heavy Duty)** is the further development of Turny, improved to meet customer demands world wide.

- Some of the new features are:
- wireless remote control (option)
  - overload protection
  - increased lift capacity
  - programmable lowest position

Turny is an outwards swivelling, electrically powered car seat lift. It is specially designed for vehicles with a higher step up, such as minibuses, SUV and vans. Turny makes getting in and out of vehicles considerably easier and can also be used as a means of assistance in getting up from a seated position to standing. As a result of its continuous variable vertical adjustment feature, Turny is ideal in transferring persons to and from wheelchairs.

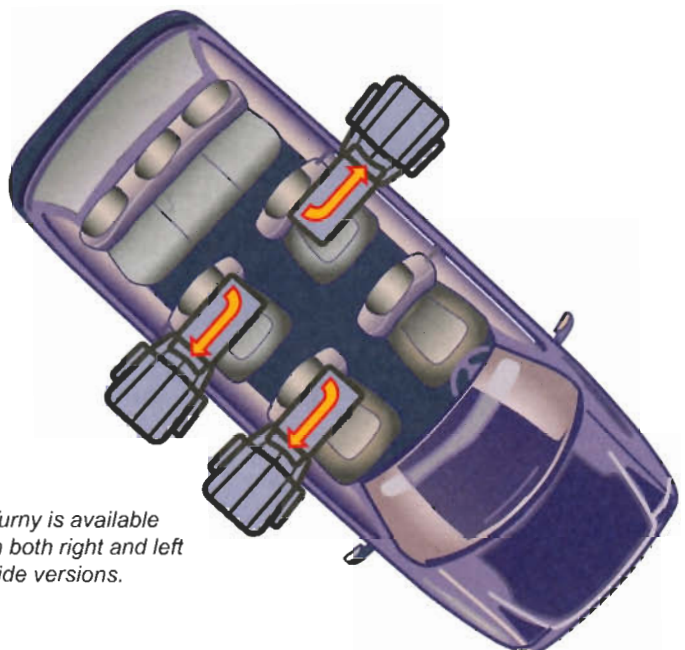
Turny can be fitted to the passenger front seat or in the vehicle middle section. To provide maximum head and leg room, a seat of low type, such as the BEV-seat or Recaro N-joy is normally recommended. The BEV-seat can easily be adapted for the special needs of the user and has a wide range of practical accessories to make the seat as comfortable as possible.

When seated in the Turny the original 3-point seatbelt is used. Turny has a CE-marking, is crash tested, fulfils current regulations, and is constructed to lift a load of 150 kg. Turny is fixed to the original vehicle seat attachment points, which means that the vehicle is easily restored to its original condition the day it needs to be replaced by a new one.

The installation must be carried out by a competent and trained technician with consideration for safety and function inside and outside the vehicle.



*Turny provides comfortable transfer between the vehicle and the wheelchair.*



*Turny is available in both right and left side versions.*



*Turny can also, to advantage, be used in conjunction with the transport wheelchair Carony. Please refer to our Carony brochure.*

# at lift for front or rear seated passengers



## HAND CONTROL

The electrically powered elevating and lowering of Turny is operated by using the hand control.



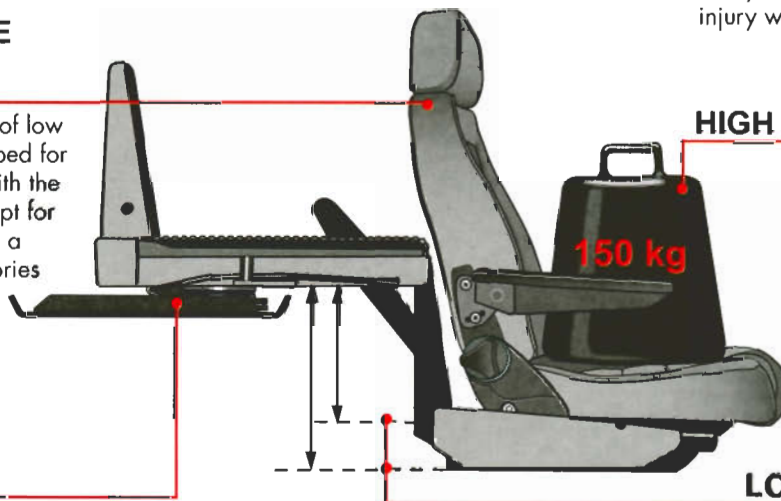
## SAFETY FIRST

Turny is CE-marked, crash tested and fulfils the requirements specified in the medical technology directive.

Turny is equipped with several safety functions to reduce risk of injury when the seat lift is being operated.

## COMFORTABLE SEAT

The BEV-seat is a seat of low type, specially developed for installation together with the Turny. It is easy to adapt for special needs and has a wide range of accessories to make sitting as comfortable as possible.



## HIGH PERFORMANCE

Turny HD is tested and approved for a lift capacity of 150 kg.

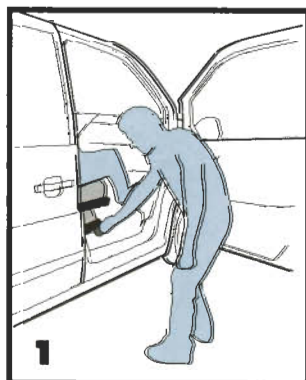
## THE SWIVEL

The swivel is constructed to be simple, robust and reliable in service, without renouncing safety and law requirements.

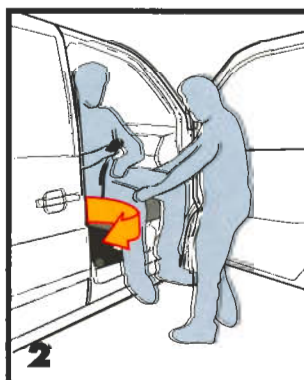
## LOWERING LEVEL

Turny is available in two lowering level versions, to suit different vehicle types and range of uses; Turny HD 300 and 395. The lowest position is programmable to suit each user individually.

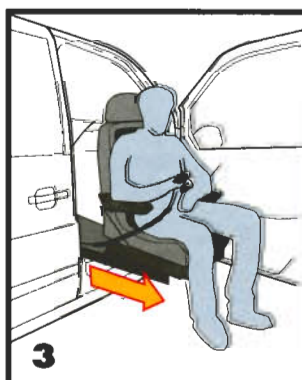
## Easy to operate, simplifies entering and exiting the vehicle.



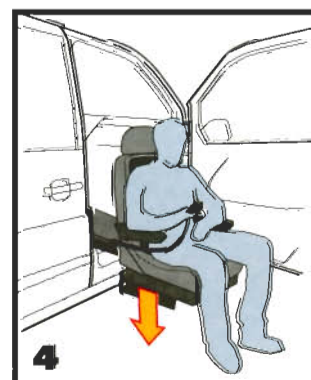
1 Lift the release lever of the swivel.



2 Swivel out the seat manually to 90°. Use the hand control to



3 First Turny runs the seat outwards...



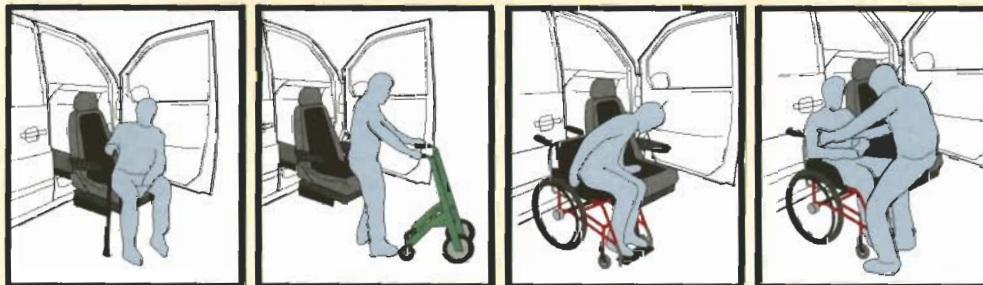
4 ...and after that lowers it to the desired level

# TURNY HD

## product information

MODEL	TURNY HD 300	TURNY HD 395
Vertical lift height	300 mm	395 mm
Original height	165 mm	165 mm
Seat height above ground (lowered)	300 mm below seat height of car	395 mm below seat height of car
Max load	150 kg	150 kg
Operating up-in/out-down	Electrical	Electrical
Swivelling inwards/outwards	Manual	Manual
Time for raising 150 kg (in)	approx. 25 sec	approx. 28 sec
Time for lowering 150 kg (out)	approx. 20 sec	approx. 23 sec
Weight	65,5 kg	67 kg
Turny is available for both left and right side installation		
<b>ACCESSORIES</b>	Wireless remote control, BEV-seat	
<b>APPROVED IN FOLLOWING TESTS:</b>	Crash-test, Pull-test, Exhaust-test, Loading capacity, Climate (-40° C - +88° C), Electric interference, Fire-test.	

## mobility examples with TURNY:



Please contact us for more information!



Address: Hedeforsvägen 6, S-443 61 Stenkullen, Sweden phone: +46 (0)302 558 20, fax: +46 (0)302 558 29  
 e-mail: [contact@autoadapt.se](mailto:contact@autoadapt.se) Web site: [www.autoadapt.com](http://www.autoadapt.com)

MOBILITY CONVERSIONS LTD  
 LANGLEY ROAD SOUTH  
 SALFORD M6 6SY  
 Tel: 0161 745 9737  
 Fax: 0161 743 0190



All illustrations, descriptions and specifications in this brochure are based on the latest product information available at the time of publication.  
 Autoadapt-BEV reserves the right to make changes at any time without notice.